

Pure Freude  
an Wasser



# GROHE BAULINES – WHAT IS NEW?

Customers' demands in terms of high-quality solutions and state-of-the-art design are steadily increasing. The new GROHE Baulines perfectly meets these needs with additional product features and a modernized design in two variants: The cubist BauEdge and the light BauLoop.



**Better comfort zone** due to angled mousseur

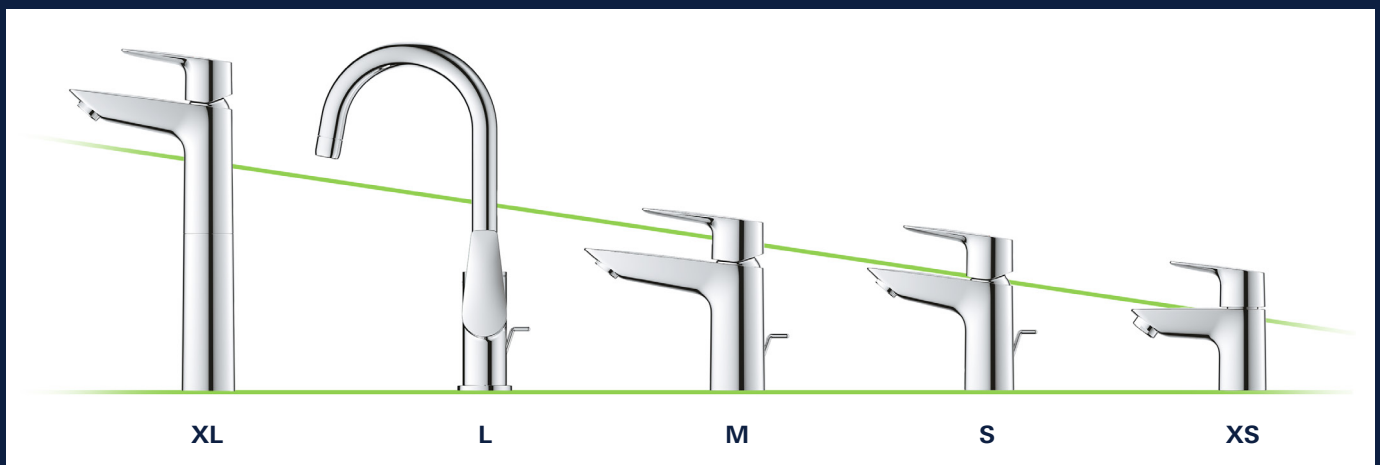


**Reduced design:** slim, short lever for improved interaction



Clear cut lines in **cosmopolitan design**

## AN ALL-ROUNDER: A SOLUTION FOR EVERY CUSTOMER AND PROJECT



GROHE Baulines is an all-rounder. Available in a total of five sizes – there is a solution for any bathroom concept. All variants are available in a classic chrome finish and match a sustainable lifestyle thanks to different water- and energy-saving technologies.

PART OF **LIXIL**

Pure Freude  
an Wasser



## GROHE BAULINES PRODUCT PORTFOLIO – COMPLETE BATHROOM SOLUTIONS

The GROHE Baulines product portfolio allows for convenient and modern bathroom planning in a few simple steps. In addition to the GROHE Baulines basin mixer, a variety of faucets for the bathtub, shower and bidet are available.

GROHE Baulines further enables you to provide your customers with complete bathroom solutions from one single source: Baulines faucets can be rounded off with **Bau Ceramic** – **matching perfectly in form and function to avoid unwanted splashing of water for example**. A novelty: The new Bau Ceramic Slim Seat. Thanks to its sleek and contemporary look it upgrades any WC and furthermore offers modern comfort with the SoftClose feature and easy cleaning thanks to the QuickRelease function. In addition the **Bau Accessories** can round the coordinated bathroom up.



### BATH MIXER



Exposed



Concealed



Trim for Smartbox



Bath Spout

### SHOWER MIXER



Exposed



Concealed



Trim for Smartbox

### BIDET



PART OF **LIXIL**

Pure Freude  
an Wasser



## BESIDES THE BAULINES PORTFOLIO CONVINCES THROUGH FURTHER FEATURES:



**GROHE TripleCore:** Thanks to its innovative zinc die casting process at the LIXIL plant in Klaeng, Thailand, one of the most sustainable plants in South East Asia, the faucet offers safe water enjoyment. Not only is **the surface of the faucet seamlessly closed** so that impurities cannot enter, there are also dedicated inner waterways to **make sure that the water does not get in contact with lead and nickel** within the faucet. Above that these inner waterways have no contact to the body material which result in a **barrier between hot water and the external surface to avoid scalding on hot surfaces**. Thus, extra safe, especially for households with children.



**GROHE StarLight:** Made-to-last surfaces ranging in chrome. The flawless, long-lasting surface is designed to be extremely resistant to dirt and scratches, making maintenance effortless and ensuring good-as-new looks for many years.



**GROHE EcoJoy:** While a flow restrictor limits the flow up from 10 to 5,7 liters per minute, an aerator enriches the water with air securing a voluminous experience. Thereby saving valuable resources, without compromising in comfort.



**GROHE LowFlow:** Specific Bauline variants come with the LowFlow feature, which reduces the water flow to 3,5 liters per minute.

**SilkMove ES:** The intelligent combination of energy-saving and effortless water control: Specific product variants like the BauLoop S-size or the BauEdge M-size come with cold start technology. Using the mid-lever position for cold water, the variants reduce wastage of hot water, saving precious water and energy.

## MARKETS SPECIFICS

Lorem ipsum dolor sit amet, consetetur sadipscing elitr, sed diam nonumy eirmod tempor invidunt ut labore et dolore magna aliquyam erat, sed diam voluptua. At vero eos et accusam et justo duo dolores et ea rebum.

PART OF **LIXIL**

Pure Freude  
an Wasser



## GROHE BAULINES FOR FUNCTIONALITY IN THE KITCHEN

Besides the coordinated bathroom solutions, GROHE Baulines also offers kitchen faucets that convince by their functionality and design. With this, the product portfolio simplifies holistic planning while meeting increasing customer demands. Thanks to smart technologies the Bauline kitchen faucet is easy to install making it a cost-efficient solution for the installer or planner. Besides the GROHE Zero technology offers further benefits to the customer.



## GROHE BAULINES KITCHEN PORTFOLIO

GROHE Baulines kitchen is available in round and square design options, as well as low, medium and high spout variants – there is a fit for every customer. All spouts offer a comfort height spout position, allowing for convenient operation for cooking and cleaning tasks.



**GROHE BauEco**  
sink mixer low spout



**GROHE BauEdge**  
sink mixer medium spout



**GROHE BauCurve**  
sink mixer medium spout



**GROHE BauLoop**  
sink mixer high spout



**GROHE BauFlow**  
sink mixer high spout



**GROHE BauClassic**  
sink mixer high spout

PART OF **LIXIL**

Pure Freude  
an Wasser



## FEATURES FOR SAFETY AND SIMPLICITY

### EASY INSTALLATION AND CONVENIENT EXCHANGE



The installation of the new kitchen faucet is particularly easy thanks to the GROHE Fast Fixation system. Shaft-coupling and pre-assembled items enable a fast, hassle- and completely tool-free fitting.



Clean and exchange the mousseur in the tap quickly with total ease thanks to the clever coin-slot Easy Exchange feature.

### SAFE WATER CONSUMPTION



To make water use safe for consumers, all GROHE Bau kitchen faucets are equipped with the GROHE Zero technology. Dedicated inner waterways ensure that the water does not get in contact with lead and nickel within the faucet. Above that these inner waterways have no contact to the body material which result in a barrier between hot water and the external surface to avoid scalding on hot surfaces. Thus, extra safe, especially for households with children.

## COMPLETE KITCHEN SOLUTIONS

For a complete modern ambience and easy kitchen planning, the GROHE product portfolio also offers a choice of stainless steel sinks, like GROHE K200, to perfectly match the faucets in functionality and design. For a further upgrade, also GROHE Composite sinks in granite grey and granite black can be integrated.



For high resolution images of GROHE Baulines for bathroom and kitchen click the following Link: <https://bit.ly/3t6sMIb>

#### GROHE

Feldmühleplatz 15 | 40545 Düsseldorf | Germany  
Phone: +49 (0) 211/9130-3030 | [www.grohe.com](http://www.grohe.com)

#### MEDIA CONTACT

Celine Kuhlenkamp | Junior Communications Manager  
e-mail: [media@grohe.com](mailto:media@grohe.com)

PART OF **LIXIL**